



Electrolux

Cooking accessories Open Base with Tray GastroNorm Support, 6 and 10GN1/1&2/1 Ovens

ITEM # _____

MODEL # _____

NAME # _____

SIS # _____

AIA # _____



922612 (OPBATRSU61011) Open base with tray support for 6 & 10 GN 1/1 oven

922613 (OPBATRSU61021) Open base with tray support for 6 & 10 GN 2/1 oven

Main Features

- Supplied with 1 tray support as standard, with the possibility to add a second one.
- The bottom of the base features holes for assembling.
- Pre-arranged for an easy installation of the ovens (no need to remove feet).

Construction

- Constructed entirely in stainless steel to offer maximum durability.

Optional Accessories

- Wheel kit for 6 & 10 GN 1/1 and 2/1 GN oven base (not for the disassembled one) (only for 922612) PNC 922003
- Tray support for 6 & 10 GN 1/1 open base (only for 922612) PNC 922690
- Tray support for 6 & 10 GN 2/1 open base (only for 922613) PNC 922692
- Bakery/pastry runners 400x600mm for 6 & 10 GN 1/1 oven base (only for 922612) PNC 922702

APPROVAL: _____



Experience the Excellence
www.professional.electrolux.com



Electrolux

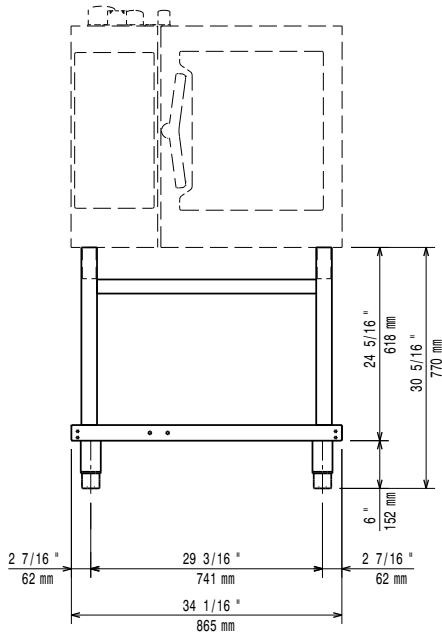
Open Base with Tray GastroNorm Support, 6 and 10GN1/1&2/1 Ovens
Cooking accessories



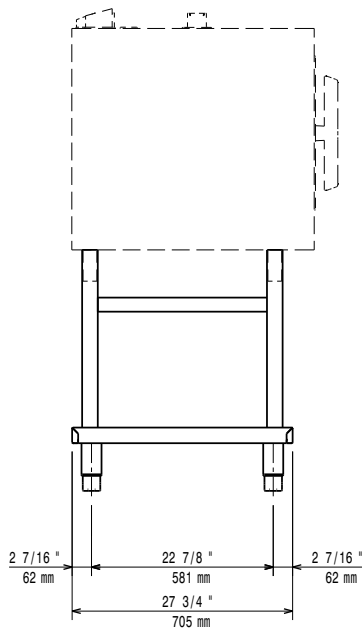
Electrolux

Cooking accessories Open Base with Tray GastroNorm Support, 6 and 10GN1/1&2/1 Ovens

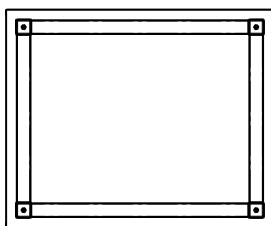
Front



Side



Top



Key Information:

External dimensions, Width:

922612 (OPBATRSU61011)	705 mm
922613 (OPBATRSU61021)	901 mm

External dimensions, Height:

922612 (OPBATRSU61011)	763.5 mm
922613 (OPBATRSU61021)	764 mm

External dimensions, Depth:

922612 (OPBATRSU61011)	865 mm
922613 (OPBATRSU61021)	1088 mm

Net weight:

922612 (OPBATRSU61011)	36.5 kg
922613 (OPBATRSU61021)	44.5 kg



Cooking accessories
Open Base with Tray GastroNorm Support, 6 and 10GN1/1&2/1 Ovens

The company reserves the right to make modifications to the products without prior notice. All information correct at time of printing.

2019.08.29